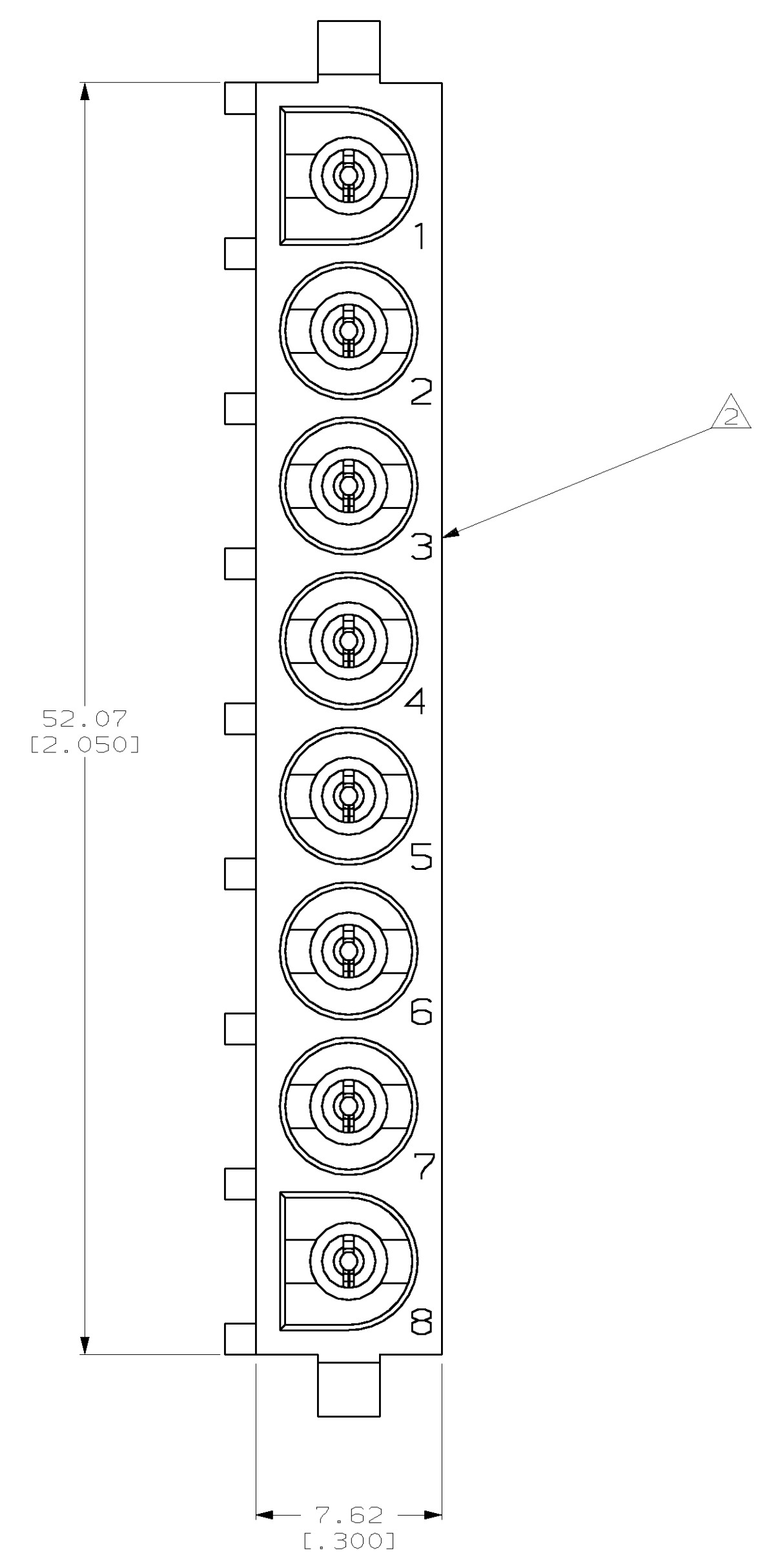
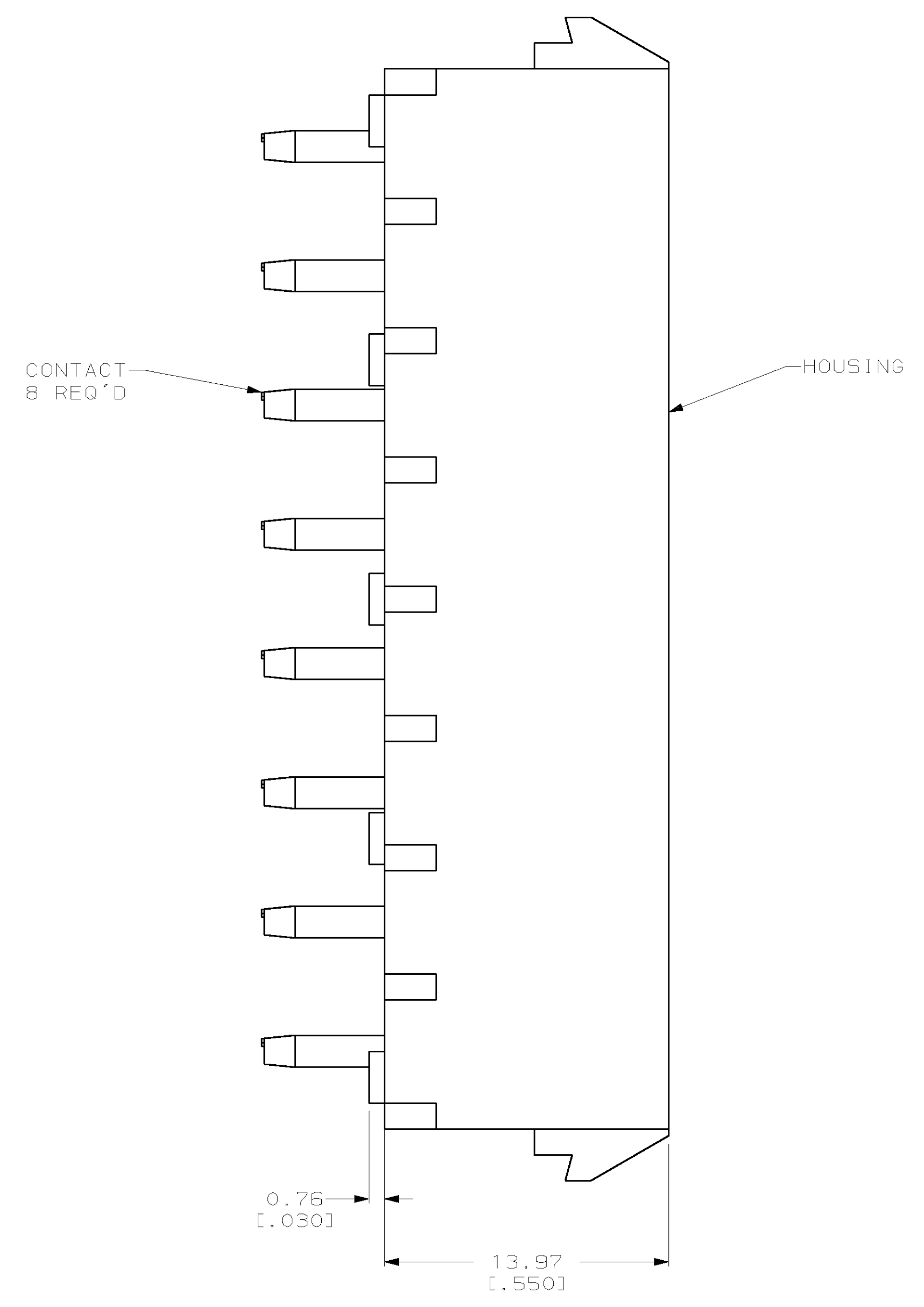
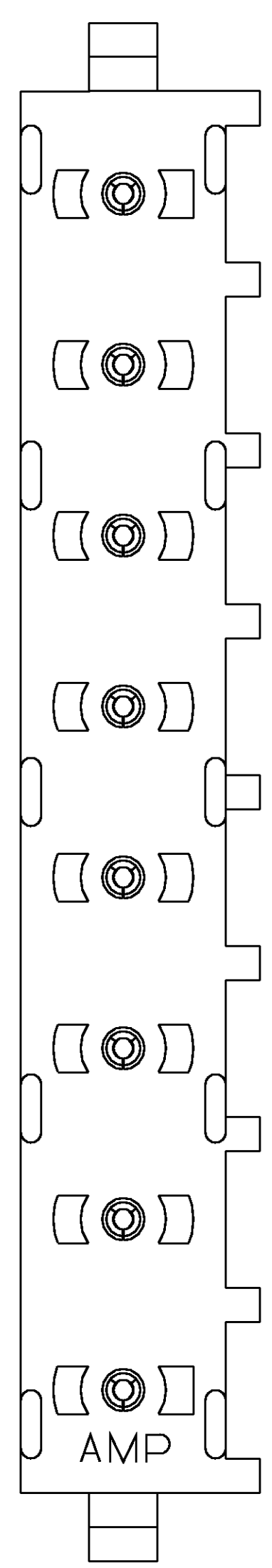
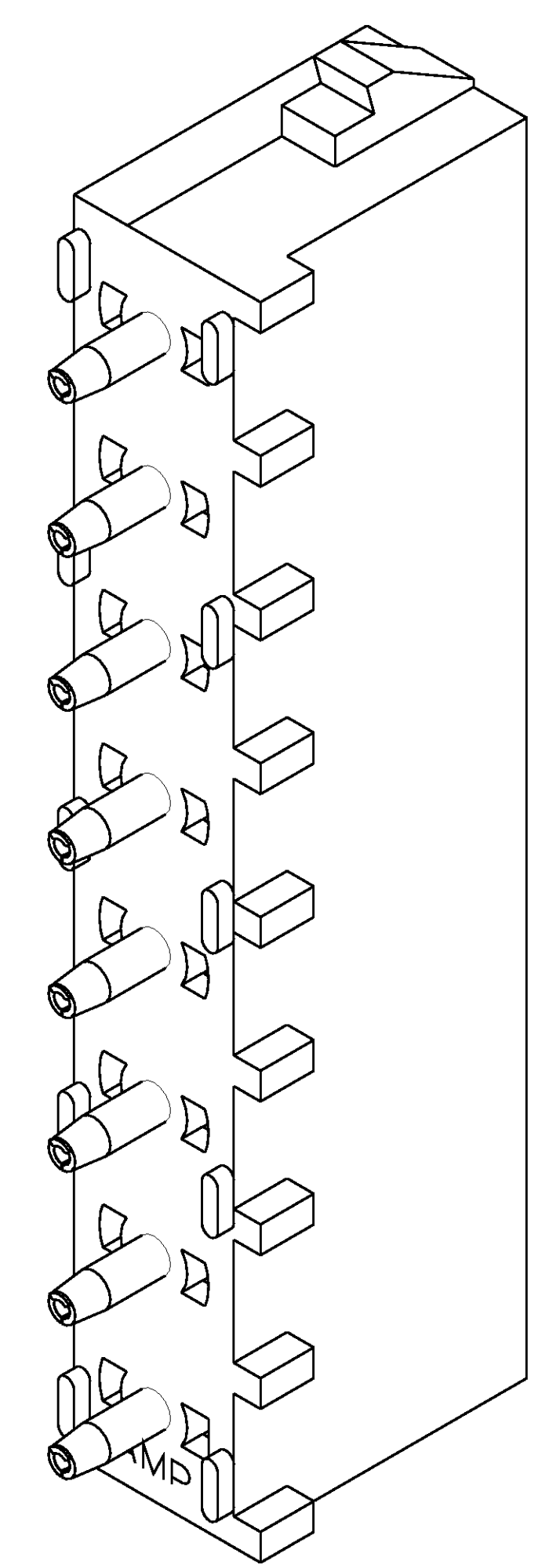


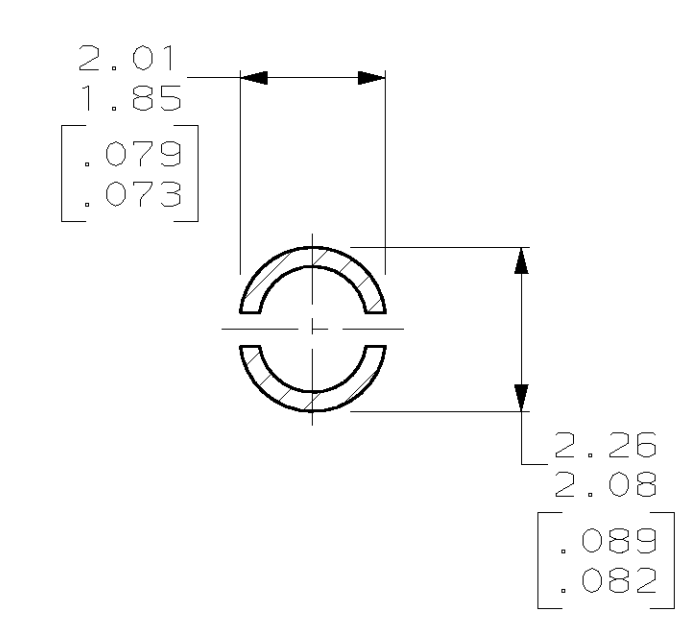
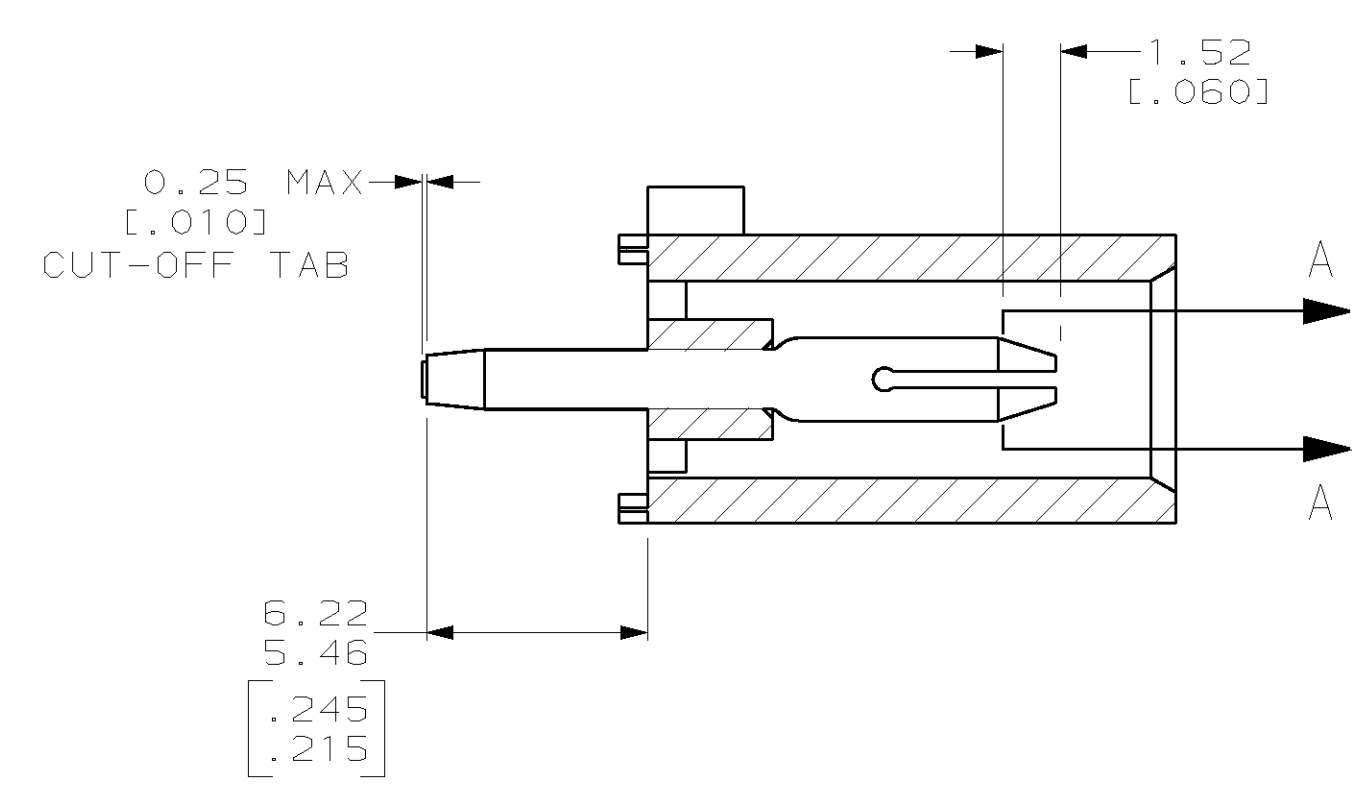
REVISIONS		DATE	OWN	APPROV
CM	53			
D	REV & REDWN PER EC	0618-0252-98	10-05-98	BL RS



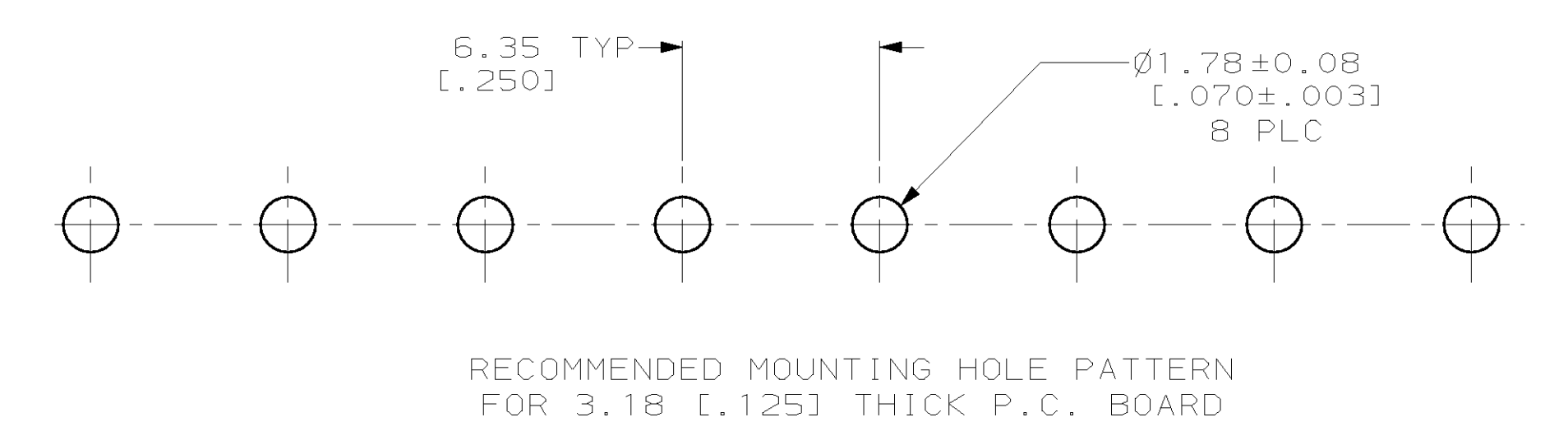
- PARTS COMPLY TO AMP SOLDERABILITY SPECIFICATION 109-11-3.
- CIRCUIT IDENTIFICATION CHARACTERS ARE ADJACENT TO THE INDICATED CAVITIES, BUT LOCATION AND ORIENTATION MAY DIFFER FROM PRINT.
- DIMENSIONS IN BRACKETS ARE IN INCHES.



3-DIMENSIONAL MODEL NTS



SECTION A-A
SCALE 10:1



PHOSPHOR BRONZE, PRE-TIN PIN CONTACT MATERIAL AND FINISH	NYLON, UL94V-2, NATURAL HOUSING MATERIAL	770143-1 PART NO
THIS DRAWING IS A CONTROLLED DOCUMENT.		DWN B. LEWIS 10-05-98
DIMENSIONS: mm (INCHES)		CHK R. SWING 10-05-98
TOLERANCES UNLESS OTHERWISE SPECIFIED:		APPROV M. TRULL 10-05-98
0 PLC ±	1 PLC ±	NAME PIN HEADER ASSEMBLY, 8 CIRCUIT UNIVERSAL MATE-N-LOK™
2 PLC ±0.13 (.005)	3 PLC ±	SIZE A1
4 PLC ±	ANGLES 40°-90°	CAGE CODE 00779
MATERIAL SEE TABLE	FINISH SEE TABLE	DRAWING NO 770143
CUSTOMER DRAWING		WEIGHT -
		SCALE 5:1
		SHEET 1 OF 1
		REV D

